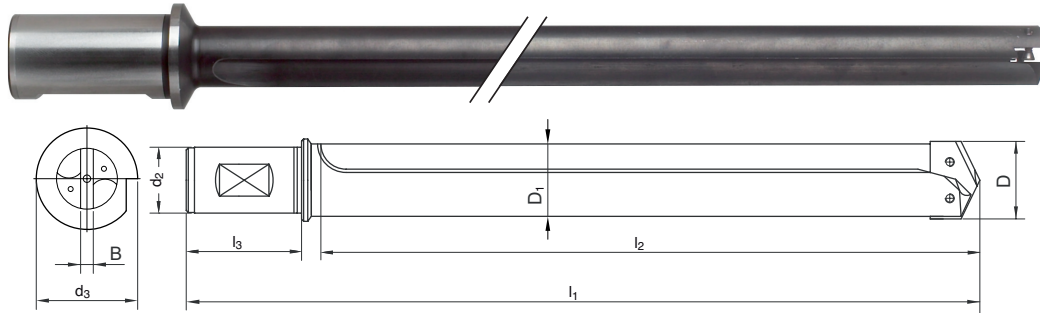


# SPECIAL RANGE STRAIGHT SHANK MULTIPLEX HOLDER, STRAIGHT FLUTED



Shank dimensions see page 8 (sim. to Weldon), lengths  $l_1$  and  $l_2$  incl. indexable insert

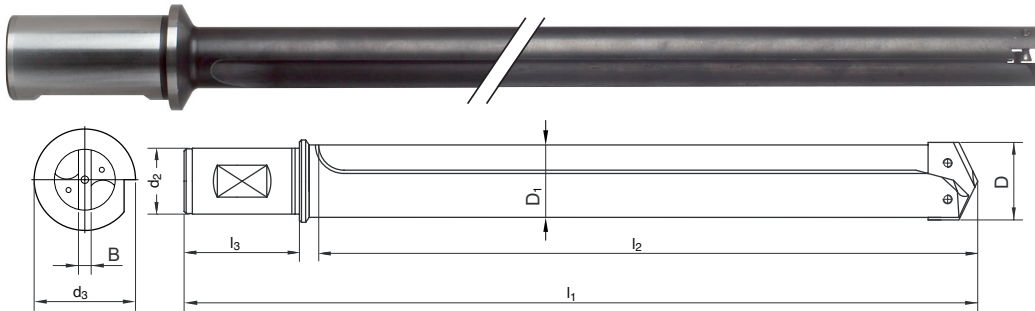
## Special dimensions, different from standard range

Hole-Ø D mm	Total length $l_1$ mm	Flute length $l_2$ mm	Holder-Ø D1 mm	Torx screws <b>86807</b>		Width of Slot B	Order- number
				Size	Code no.		
11.71 - 13.40	159.0	103	11.5	M 2x4	2.000	2.5	<b>333003951</b>
11.71 - 13.40	179.0	123	11.5	M 2x4	2.000	2.5	<b>333003952</b>
13.41 - 16.40	198.5	144	13.0	M 2.5x5	2.500	3.5	<b>333003953</b>
13.41 - 16.40	238.5	184	13.0	M 2.5x5	2.500	3.5	<b>333003954</b>
13.41 - 16.40	318.5	264	13.0	M 2.5x5	2.500	3.5	<b>333010526</b>
15.00 - 16.40	95.0	40	14.5	M 2.5x5	2.500	3.5	<b>333006111</b>
15.00 - 16.40	125.0	70	14.5	M 2.5x5	2.500	3.5	<b>333006112</b>
15.00 - 16.40	178.5	124	14.5	M 2.5x5	2.500	3.5	<b>333006114</b>
15.00 - 16.40	198.5	144	14.5	M 2.5x5	2.500	3.5	<b>333006115</b>
15.00 - 16.40	238.5	184	14.5	M 2.5x5	2.500	3.5	<b>333003955</b>
15.00 - 16.40	268.5	214	14.5	M 2.5x5	2.500	3.5	<b>333003956</b>
15.00 - 16.40	398.5	344	14.5	M 2.5x5	2.500	3.5	<b>333010527</b>
16.41 - 18.90	260.5	209	16.0	M 2.5x7	2.501	3.5	<b>333003957</b>
16.41 - 18.90	295.5	244	16.0	M 2.5x7	2.501	3.5	<b>333003958</b>
16.41 - 18.90	410.5	359	16.0	M 2.5x7	2.501	3.5	<b>333010533</b>
18.91 - 22.40	304.0	255	18.5	M 3x6	3.000	4.0	<b>333003959</b>
18.91 - 22.40	344.0	295	18.5	M 3x6	3.000	4.0	<b>333003960</b>
18.91 - 22.40	464.0	415	18.5	M 3x6	3.000	4.0	<b>333010538</b>
22.41 - 25.40*	285.0	237	22.0	M 3x8	3.001	4.0	<b>333008888</b>
22.41 - 25.40*	345.0	297	22.0	M 3x8	3.001	4.0	<b>333003961</b>
22.41 - 25.40*	385.0	337	22.0	M 3x8	3.001	4.0	<b>333003962</b>
22.41 - 25.40*	535.0	487	22.0	M 3x8	3.001	4.0	<b>333019545</b>
25.41 - 29.00	343.0	270	23.0	M 3x8	3.001	5.0	<b>333007963</b>
25.41 - 29.00	433.0	360	23.0	M 3x8	3.001	5.0	<b>333003963</b>
25.41 - 29.00	503.0	430	23.0	M 3x8	3.001	5.0	<b>333003964</b>
25.41 - 29.00	683.0	610	23.0	M 3x8	3.001	5.0	<b>333010548</b>
29.01 - 35.00	393.0	321	28.0	M 3.5x10	3.500	5.0	<b>333006118</b>
29.01 - 35.00	473.0	401	28.0	M 3.5x10	3.500	5.0	<b>333003965</b>
29.01 - 35.00	553.0	481	28.0	M 3.5x10	3.500	5.0	<b>333003966</b>
29.01 - 35.00	763.0	691	28.0	M 3.5x10	3.500	5.0	<b>333010551</b>
33.20 - 36.00**	148.0	77	33.0	M 3.5x10	3.500	5.0	<b>333006119</b>
33.20 - 36.00**	173.0	102	33.0	M 3.5x10	3.500	5.0	<b>333006120</b>
33.20 - 36.00**	223.0	152	33.0	M 3.5x10	3.500	5.0	<b>333010552</b>
33.20 - 36.00**	273.0	202	33.0	M 3.5x10	3.500	5.0	<b>333006121</b>
33.20 - 36.00**	393.0	322	33.0	M 3.5x10	3.500	5.0	<b>333006122</b>

\*Attention: only for insert thickness 4 mm

\*\* insert thickness 5 mm

Delivery within appr. 2 weeks



Shank dimensions see page 8 (sim. to Weldon), lengths  $l_1$  and  $l_2$  incl. indexable insert

### Special dimensions, different from standard range

Hole-Ø D mm	Total length $l_1$ mm	Flute length $l_2$ mm	Holder-Ø D1 mm	Torx screws <b>86807</b>		Width of Slot B	Order- number
				Size	Code no.		
33.20 - 36.00**	503.0	432	33.0	M 3.5x10	3.500	5.0	<b>333003967</b>
33.20 - 36.00**	603.0	532	33.0	M 3.5x10	3.500	5.0	<b>333003968</b>
33.20 - 36.00**	823.0	752	33.0	M 3.5x10	3.500	5.0	<b>333010553</b>
35.01 - 45.00	457.0	387	34.0	M 4x15	4.001	7.0	<b>333003969</b>
35.01 - 45.00	607.0	537	34.0	M 4x15	4.001	7.0	<b>333003970</b>
45.01 - 55.00	467.0	387	44.0	M 4x15	4.001	7.0	<b>333003971</b>
45.01 - 55.00	617.0	537	44.0	M 4x15	4.001	7.0	<b>333003972</b>
55.01 - 65.00	467.0	387	54.0	M 4x15	4.001	7.0	<b>333003973</b>
55.01 - 65.00	617.0	537	54.0	M 4x15	4.001	7.0	<b>333003974</b>
65.01 - 78.00	230.0	155	63.0	M 5x20	5.000	9.0	<b>333017372</b>
65.01 - 78.00	340.0	265	63.0	M 5x20	5.000	9.0	<b>333017374</b>
65.01 - 78.00	620.0	545	63.0	M 5x20	5.000	9.0	<b>333017375</b>
78.01 - 90.00	240.0	155	77.0	M 5x20	5.000	9.0	<b>333017376</b>
78.01 - 90.00	350.0	265	77.0	M 5x20	5.000	9.0	<b>333017377</b>
78.01 - 90.00	630.0	545	77.0	M 5x20	5.000	9.0	<b>333017378</b>
90.01 - 102.00	240.0	155	89.0	M 5x20	5.000	9.0	<b>333017379</b>
90.01 - 102.00	350.0	265	89.0	M 5x20	5.000	9.0	<b>333017380</b>
90.01 - 102.00	630.0	545	89.0	M 5x20	5.000	9.0	<b>333017381</b>

\*Attention: only for insert thickness 4 mm

\*\* insert thickness 5 mm

Delivery within appr. 2 weeks



**For all holders >7xD support for pilot hole is necessary!**